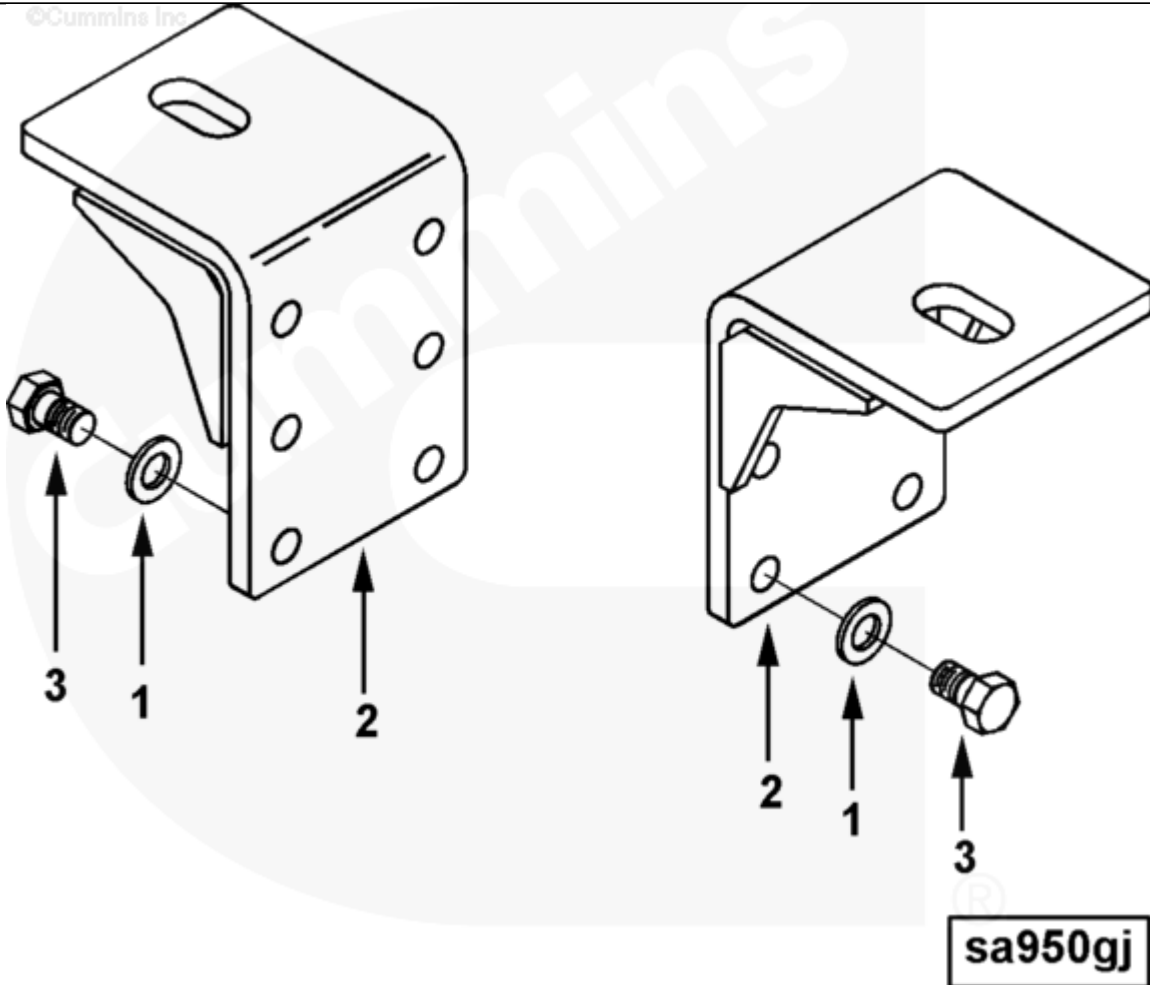




Parts Catalog - Option Detail

Electronic Parts Catalog - Option Detail				
Option	Group	Graphic	Film Card	Date
SA9044	16.05.1	sa950gj	Z	10-APR-02
Engines	6C8.3, C GAS PLUS CM556, G8.3, G8.3 CM558, GTA8.3 CM558, ISC CM2150, ISC CM554, ISC CM850, ISC8.3 CM2250, ISC8.3 G CM2180 C101, ISL CM2150, ISL CM554, ISL CM850, ISL G CM2180, ISL8.9 CM2150 L110, ISL8.9 CM2880 L112, ISL9 CM2150 SN, ISL9 CM2250, ISL9 CM2350 L101, ISL9 CM2350 L111, ISLE4 CM850, L GAS PLUS CM556, L8.9, L8.9 L121, L8.9G CMOH2.0 L125B, L9 CM2350 L116B, L9 CM2350 L119B, L9 CM2350 L120C, L9 CM2350 L123B, L9.3 L105, L9.5 L117, L9N CM2380 L124B, QSC8.3 CM2250, QSC8.3 CM2880 C102, QSC8.3 CM554, QSC8.3 CM850(CM2850), QSL9 CM2250, QSL9 CM2250 L115, QSL9 CM2350 L102, QSL9 CM2350 L107, QSL9 CM2350 L118, QSL9 CM2350 L122, QSL9 CM554, QSL9 CM850(CM2850), QSL9 G CM558, QSL9 M CM2250 L106, QSL9.3 CM2880 L113			



SMALL | MEDIUM | LARGE

Cart	Ref No	Part Number	Part Description	Required	Remarks
View My Cart					
		SA9044	Marine Gear Support		

					Engine family "C" Series
					Marine Gear Model: ZF280 IV
					Left mounting center: 316.11
					(12.45)
					Right mounting
					center: 297.06 (11.70)
					Isolator mounting pad below
					crank centerline: 87.05
					(7.36)
					All threaded locations
					must be engaged between
					marine gear and support.
					No alternative mounting
					positions to be used.
<input type="checkbox"/>	1	3018007	Plain Washer	12	M16
<input type="checkbox"/>	2	3963385	Marine Gear Support	2	
<input type="checkbox"/>	3	3892790	Hexagon Head Cap Screw	6	
<input type="checkbox"/>	3	4003538	Hexagon Head Cap Screw	6	M16 x 2 x 35
<input type="checkbox"/>		3963386	Mounting Spacer	1	